

# 690HTVL-E ULTRA WDR

## IR Mobile Camera

The Perfect Addition to Any CCTV System

CVM6WP MOBILE CAMERA



1-512-756-1678

- The Camera features 690HTVL effective resolution with Ultra Wide Dynamic Range. The uWDR technology brings the most clear video image at any conditions.

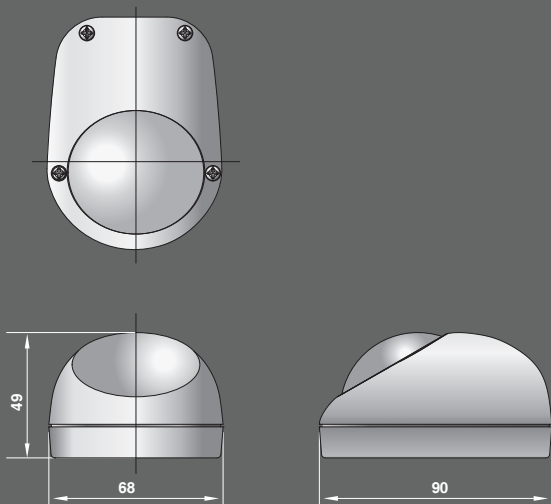


### Key Features

- Max 120dB Ultra Wide Dynamic Range
- 690HTVL Effective High resolution
- High sensitivity (Color 0.8Lux@F1.2 50IRE)
- 1/3" Pixim DPS Technology
- 3.6mm Lens (Optional)
- True Day & Night(ICR)
- 3D Noise reduction
- DSS(Digital Slow Shutter)
- H-Mirror
- 10 IR LEDs
- IR LED intensity control(High/Low)
- Audio gain control(High/Low)
- IK10 Vandal-resistant
- IP66 Protection
- Compact size

### Dimensions

Unit: mm



### Technical Specification

Model	NTSC	PAL
<b>Power</b>		
Power Source	DC12V ± 10%	
Power Consumption	3.5W / 0.29A	
<b>General</b>		
Image Sensor	1/3" Pixim CMOS (Seawolf)	
Total Pixels	768(H) x 548(V)	
Scanning Frequency	15.734KHz(H) 59.94Hz(V)	15.625KHz(H) 50Hz(V)
Sync. System	Internal	
Resolution	690 HTVL-E	
Min. illumination	0.8 Lux(Color), 0 Lux(B/W at IR ON) @ F1.2, 50IRE	
IR LED/ SENSOR	IR LED 10EA(850nm) CDS 2EA	
LED Lighting Distance	Max 10m	
Video Output	1.0 Vp-p (75ohm, Composite)	
S/N Ratio	More than 50dB (AGC off)	
Function	Auto Exposure	ON
	White Balance	Auto (ATW)
	Day & Night	Auto
	WDR	Auto
	DSS	Auto
	AGC	Auto
<b>Connector&amp; ETC</b>		
Power Input	5559-02P(Molex) or DC Jack	
Video Output	BNC(Yellow) Connector	
Audio Output	BNC(White) Connector	
Lens Mount	Fixed Mount	
Lens	3.6mm Fixed (Option 2.5/ 2.9/ 4.0/ 6.0 / 8.0/ 12.0mm)	
Operating Temperature	-10° ~ +50° C [14°F ~ 122°F]	
Operating Humidity	0 ~ 96%	
Ingress Protection	IP66	
External Dimension	68(W) x 49(H) x 90(D) mm [2.7(W) x 1.9(H) x 3.5(D) inch]	
Weight	220g(Unit) / 320g(Shipping)	