

# CVM2WP

## Multipurpose Vehicle Camera

1-512-756-1678



MODEL	CVM2WP
Image sensor	1/3" Super Sensitive Color CCD Sensor
Effective Pixels	768(H) x 494(V),NTSC 752(H) x 582(V),PAL
H. Resolution	520 TVL(Color) / 560 TVL(Night)
Min.Illumination	0Lux
Synchronizing system	Internal
Scanning system	2:1 Interlaced
Video output	1.0 to 1.2 Vp-p Composite 75 Ohms
S/N ratio	More than 50dB (AGC Off)
Smear effect	0.005%
Gamma Correction	Standard $\gamma = 0.45$
White balance	ATW(2100°K ~ 9100°K)
Gain control	6dB ~ 40dB Auto
Lens	2.9mm Fixed Lens(120° AOV)
Lens(Optional)	3.6mm(92°), 4.3mm(78°), 6mm(54°)
IR Distance	10M
Power source	DC12V(Tolerance:9.5V ~24V)
Operating current	80mA at DC12V(IR Off)/190mA at DC12V(IR On)
Operating temperature	-4° F ~ 122° F (-20° C ~ +50° C)
Operating Humidity	90% RH
External mirror option	Mirror switch ON/OFF
Measurement (mm)	60(W) x 70.3(V) x 90(L)
Weight (Approx.g)	490

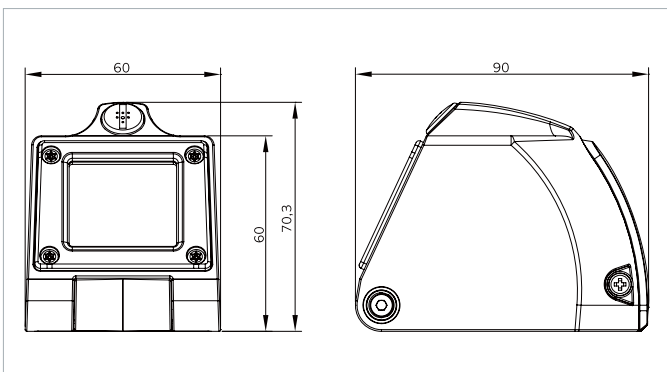
### Special Features

- Front view, Inside view, Rear view, Side view(Right/Left)
- Camera angle adjustable(Max. 30 degree)
- Mirror image on/off by external switch
- Accurate Day/Night Switching over by using lens built-in CDS sensor to reflect the lux level of the subject

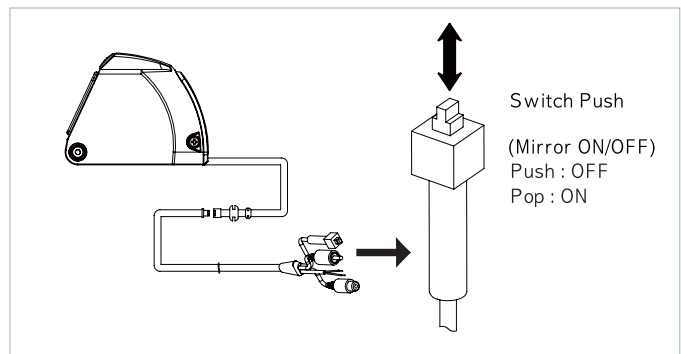
### General Features

- 1/3" Super Sensitive Color CCD sensor
- High resolution of 520TVL(Day)/560TVL(Night)
- 10M IR Beam Distance
- Excellent Back Light Compensation(BLC)
- Excellent Auto White Balance (ATW)
- Wide range of power input tolerance(9.5VDC ~ 24VDC)
- Reverse Polarity Input protection circuit built-in
- Vibration free/IP67 Weatherproof
- 12VDC

### Dimension



### Mirror Switch



### Angle Adjustment(30°)

