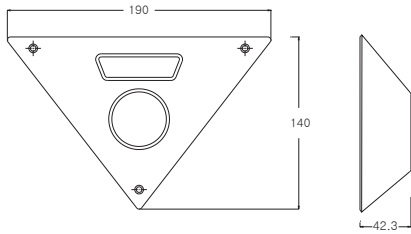


CAUTION : TO REDUCE THE RISK OF ELECTRIC SHOCK,
DO NOT REMOVE COVER
NOT USER SERVICEABLE PARTS INSIDE
REFER SERVICING TO QUALIFIED SERVICE PERSONNEL

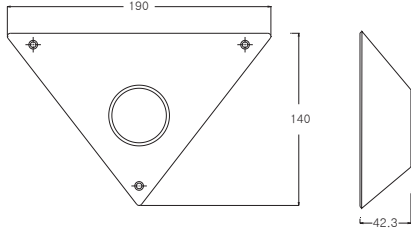
Dimensions

Part name & Dimension

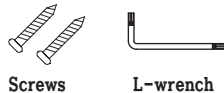
With LED



With out LED



Accessories

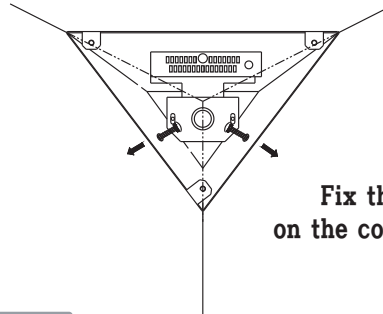


Screws

L-wrench

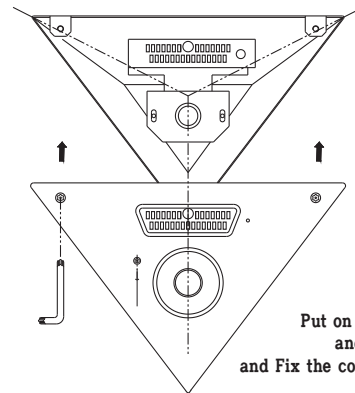
Installation

Step.1



Fix the product
on the corner by screws

Step.2



Put on the cover of the base
and adjust direction
and Fix the cover on the base by L-wrench

Option Audio Cable



CAUTION ! Please use regulated power supply DC12V 500mA
Reverse Polarity Protection

Features

- 1/3" Sony Super HAD II Color CCD(600TVL)
- DNR(Digital Noise Reduction)
- DWDR(Digital WDR)
- IR Smart(Intelligent IR)
- Wide view of 160 degree.
- 30 pcs of IR LEDs (Option)
- Aluminum Front housing for vandal proof.
- Suitable for elevator or prison cell
- Weather proof /IP-66 rating

Specifications

TV System	STANDARD RESOLUTION		HIGH RESOLUTION	
	NTSC	PAL	NTSC	PAL
Number of Pixels	H 510 V 492	500 582	768 494	752 582
Scanning Frequency	H 15.734KHz V 59.94Hz	15.625KHz 50Hz	15.734KHz 59.94Hz	15.625KHz 50Hz
Horizontal Resolution	Color : 420 TV Lines		Color : 600 TV Lines	
Image Pick-UP Device	1/3" Sony Super HADII Color CCD			
Scanning System	2:1 Interlace			
S/N Ratio	More Than 50dB			
Min. Sensitivity	0.1 Lux / 50IRE - at F : 1.4			
IR LED	30 pcs of IR LEDs 850nm			
Gamma Correction	0.45 Approx.			
Gain Control	Automatic			
Video Output	Composite Video 1.0Vp-p/75Ω			
Operating Temp.	-10°C ~ +50°C			
Operating Humidity	30% to 90%			
Power Source	DC12V 500mA			
Lens	f=2.3mm 160deg(D)			
Power Sonsumption	1.0W at Normal , 4w at IR ON			
Dimensions (mm)	190(W) x 140(L) x 42.3(H)			
Weight/g	330g			

- ※ Option - Audio
- IR LED
- Lens :3mm Fixed Lens 120deg
- 3.6mm Fixed Lens 90deg