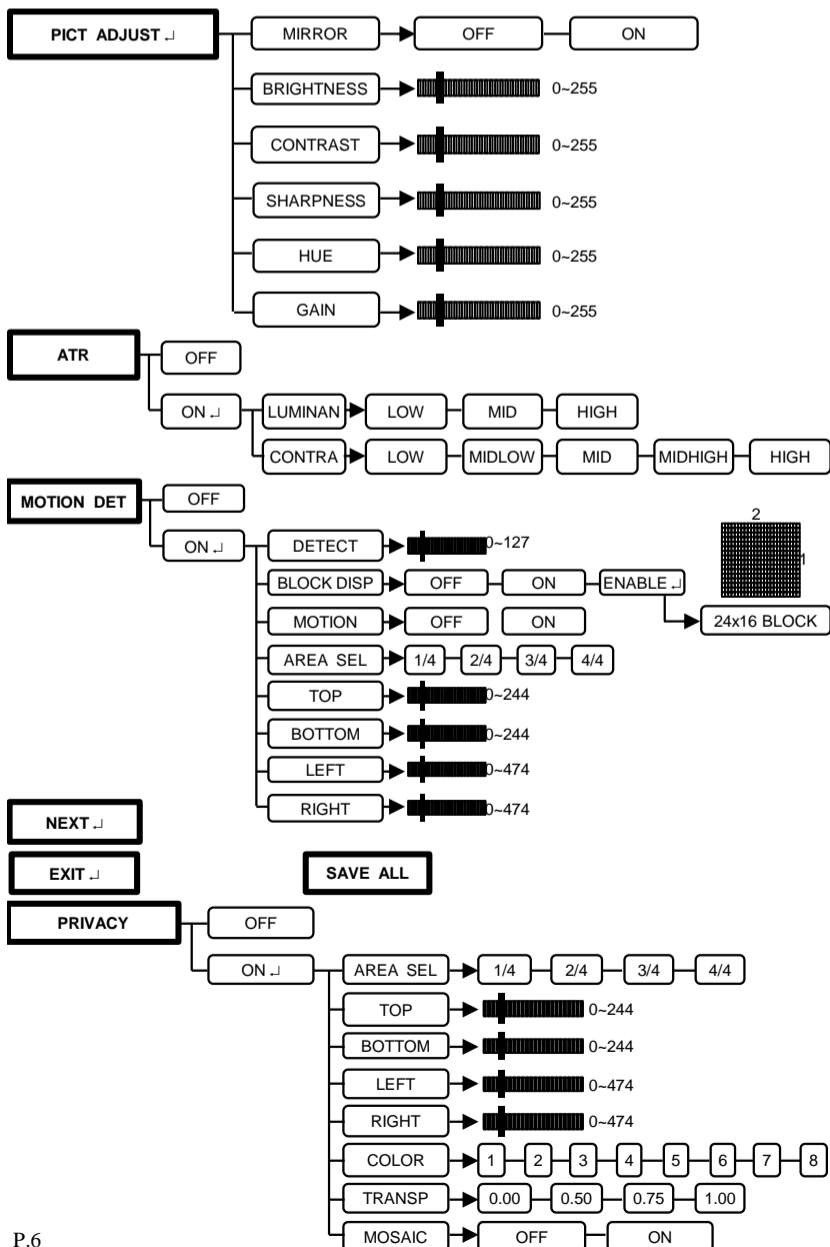


CB30VWP2
SUPER LONG RANGE IR CAMERA
INSTRUCTION MANUAL

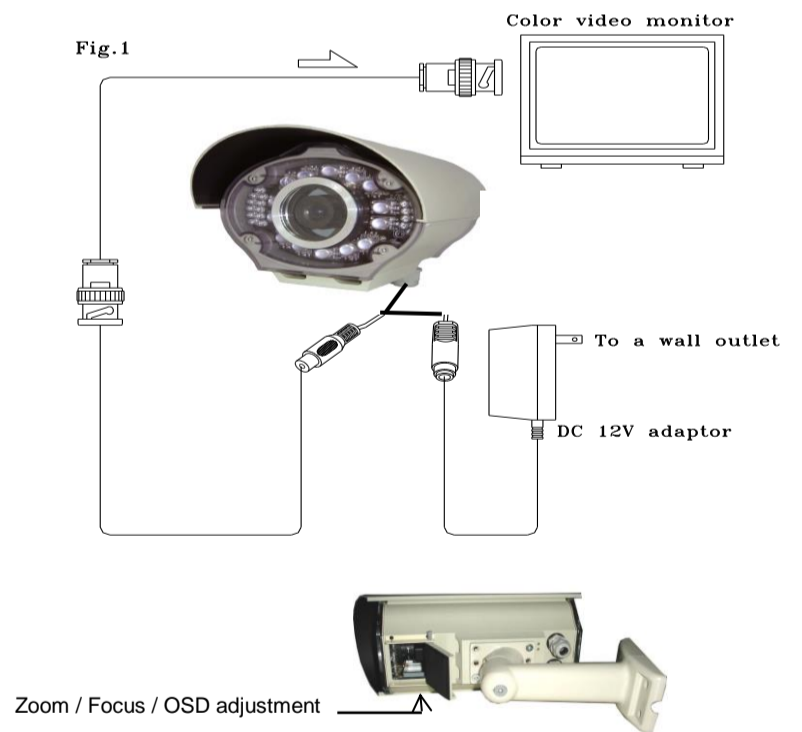
1. FEATURES:

- ◎ Sony 1/3" Color Exview™ CCD 700TVL Effio-E 960H.
- ◎ High Sensitivity · True Color reproduced in Day time
- ◎ Built in 14 Super Bright Large LEDs and 21 wide spread LEDs Automatically Switch to ON/OFF
- ◎ IR Range: More than 150 Meters/ 492Ft.
- ◎ Mechanical IR Cut Filter Built in for longer IR range.
- ◎ Lens External Adjustment through Trap Door
- ◎ Cable Management
- ◎ Multi-Language OSD setup menu
- ◎ ATR(Digital Wide Dynamic Range), Motion Detection, 2D Noise Reduction, High Light Compensation, Privacy

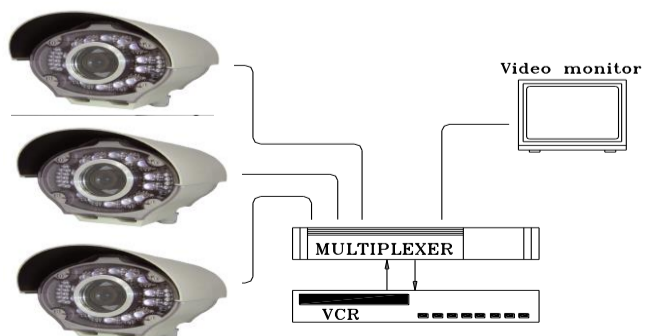
When connecting the power on IR-illuminator it will turn on to detect for a few seconds and then turn off automatically.



4. OPERATION GUIDE:



5. SYSTEM CONNECTION

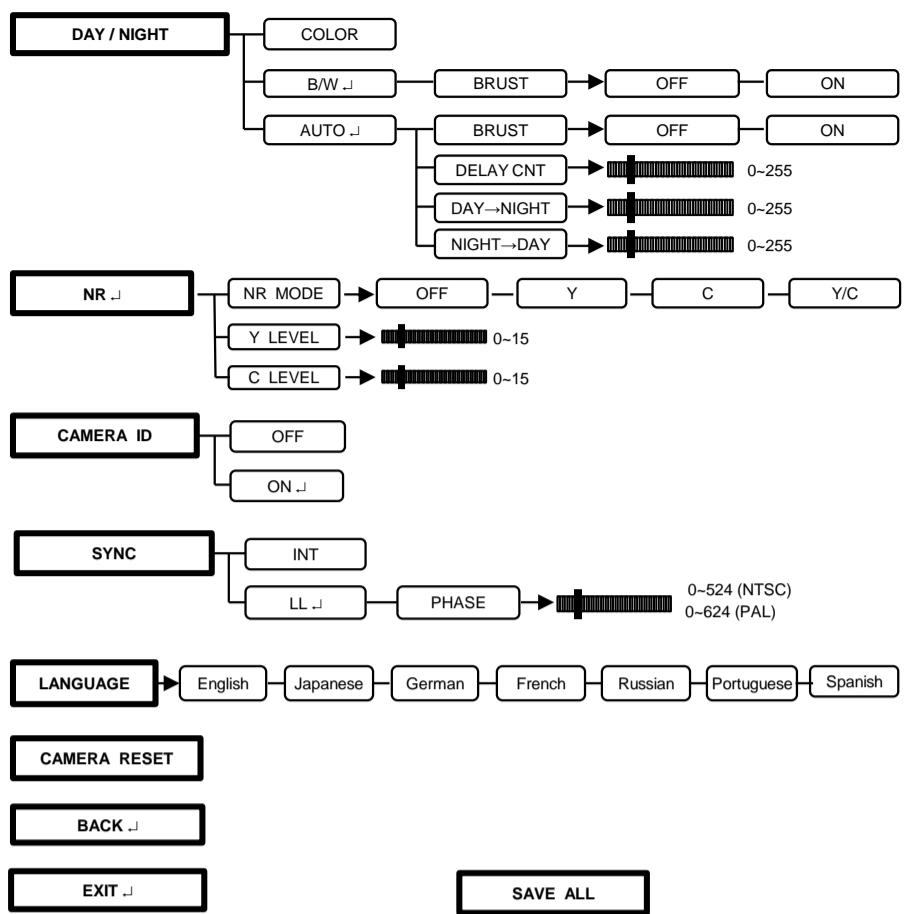


2. CAUTIONS:

- 1、 Before attempting to connect this product, please read this manual completely.
- 2、 Ensure the supply voltage is correct as specified for the particular variant of the camera before operation.
- 3、 Never face the camera toward the sun directly.
- 4、 Do not attempt to service this unit yourself unless you are authorized to do so. Opening or removing cover may expose you to dangerous or other hazardous materials. Refer all servicing to qualified personnel only.
- 5、 Keep a suitable clearance between the unit and the place where the unit mounted.
- 6、 Do not disassemble the camera.
- 7、 Strongly suggest the current of power source adapter (12V DC) using 1.5 ampere or above.

3. SYSTEM COMPONENTS:

- Camera 1
- Instruction manual..... 1
- Bracket..... 1
- coaxial--cable BNC & POWER connector--- 1
- Hexagonal wrench..... 1



6. SPECIFICATION:

Total Pixels	PAL: 1024 * 596 / NTSC: 1028 * 508
Effective Pixels	PAL: 976 * 582 / NTSC: 976 * 494
Sync System	Internal Sync
Video Output	1Vpp Composite, 75 ohm BNC Connector
Lens	Lens Varifocal 5 ~ 60mm Auto IRIS, F1.6
Resolution	More than 700 TV Lines (Horizontal)
Gamma Correction	0.45
Minimum Illumination	0 Lux (IR LEDs Activated)
S/N Ratio	More than 68dB (AGC Off)
Power Source	12V DC
Power Consumption	2W (IR LEDs Activated : 13W Max)
Ambient	-10 ~ 50°C (14~122F) / 30 ~ 90 % RH
Dimensions	127mm(H) x156 mm(W)x354mm(D)
Weight	Apprx. 4400g
Backlight Compensation	Setting through OSD menu
White Balance	Setting through OSD menu
Gain Control	Setting through OSD menu
Image Correction	Image Reverse/Brightness/Contast/Sharpness/HUE/AGC
Weather proof	IP-65
IR LED	14 Pieces of Big LEDs , ※ New 14 LEDs (10Φ Big LED) + 21 LEDs(5ΦLED)

7. INSTALLATION INSTRUCTIONS:

- 1、 Connect the video output of the camera to a color monitor or other video device through a 75 Ω type coaxial cable with BNC connector at cable extension.
- 2、 Connect the regulated power source to the 12V DC power-in jack with 2 mm center +, - outer plug.

8. ADJUSTMENT: (Through OSD menu)

