

700TVL High Resolution IR BULLET CAMERA

The Perfect Addition to Any CCTV System

CB26VWP BULLET CAMERA



1-512-756-1678

- » The new CB26VWP bullet camera from NST comes readily equipped with the Sony Effio-E 2nd generation ISP which combines smart IR technology with ATR to provide superior image quality. Recording at 700tvl this camera will truly provide the greatest sight at night using IR Led illuminators combined with True Day and Night for a picture as clear as day.

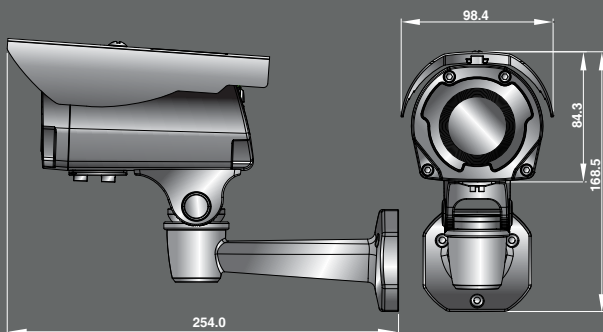


» Key Features

- Sony 960H EXView HAD CCD II
- Super High Resolution (700TVL) and high sensitivity (0.14 Lux @F1.2 50 IRE)
- Optical Day&Night (True Day&Night Model)
- Adaptive Tone Reproduction
- Backlight Compensation/Highlight Compensation
- Motion Detection
- Privacy Mask
- 2D Noise Reduction
- IP68 Rating

» Dimensions

Unit: mm



» Technical Specification

Model	NTSC	PAL
ELECTRICAL		
Input Voltage	DUAL(DC12V,AC24V) ±10%	
Power Consumption	T.B.D	
Power Connector	2-Pin Terminal Block	
VIDEO		
Image Device	1/3" Sony EXVIEW-HAD II 960H CCD	
TOTAL Pixel	1020(H)x508(V)	1020(H)x596(V)
Effective Pixels	976(H)x494(V)	976(H)x582(V)
Scanning System	2:1 Interlace	
Sync.System	Internal	
Scanning Freq.	15.734KHz(H),59.95Hz(V)	15.625KHz(H),50Hz(V)
Horizontal Resolution	700 TVL	
Min.Illumination	0.15 Lux(Color) @ F1.2 50IRE	
S/N (Y signal)	More than 50dB	
Video Output	CVBS 1.0Vp-p, 75Ω	
LENS		
Focal Length	2.8 - 12mm (HCU-P370R(xSKW3)	5.0 - 50mm (HCU-P370R(xSQW3)
Lens Type	Vari Focal	
Mount Type	Board Type	
OPERATIONAL		
WDR	-	
Image Enhancement	ATR-Lite	
Day & Night	True D&N (IR cut Filter)	
White Balance	ATW/PUSH/USER1/USER2/ANTI CR/MANUAL/PUSH LOCK	
Electronic Shutter Speed	"1/60~1/10,000 Auto : ~100,000"	"1/50~1/10,000 Auto : ~100,000"
Dynamic Noise Reduction	2D	
Sens-up	-	
Backlight Compensation	OFF, BLC, HLC	
Motion Detection & Video Analytics	Motion Detection (4 areas)	
Digital Image Stabilizer	-	
Privacy Masking	4 Zone	
Digital Zoom	-	
Digital Image Effect	MIRROR	
Language	English,Japanese,German,French,Russian,Portuguese,Spanish	
Camera Control	Tact Switch	
Protocol	-	
ENVIRONMENTAL		
Operating Temperature	-10°C~ +50°C	
Operating Humidity	20 ~ 80% RH	
Storage Temperature	-20°C~ +60°C	
Storage Humidity	20 ~ 90% RH	
Ingress Protection	IP68	
IR LEDs	45 IR LEDs	
MECHANICAL		
Dimension (WxHxD)	98.4(W) x 168.5(H) x 254.0(D) mm	
Weight	T.B.D	
Approvals	FCC (Class A), UL Listed	CE(Class A) Listed