

# High Resolution, Quality, Reliability

## NETWORK VIDEO RECORDER

The Perfect Addition to Any CCTV System

NVR1

NETWORK VIDEO RECORDER

**NST**.COM  
new security technologies  
1-512-756-1678

➤ COST EFFECTIVE NETWORK VIDEO RECORDER.

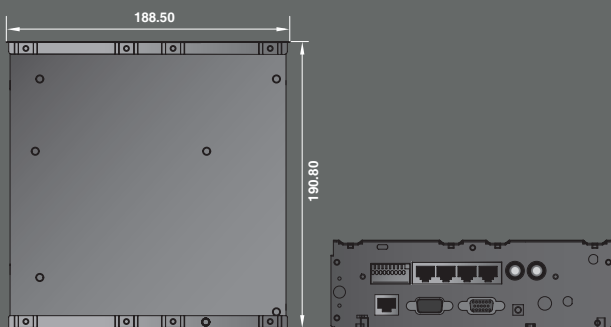


### ➤ Key Features

- COST EFFECTIVE
- EASY INSTALL & USE
- ONVIF SUPPORT
- BUILT-IN Wi-Fi ACCESS POINT
- MOBILE VIEWER SUPPORT (iOS & ANDROID)
- CASCADING VIA VMS

### ➤ Dimensions

Unit: mm



### ➤ Technical Specification

Model	NVR1
<b>Video</b>	
IP Camera Input	"Full-HD x 4ch or 720p x 8ch or D1 x 16ch (depends on resource)"
Supported Cameras	ONVIF based network cameras
Supported Video Format	H.264, MPEG-4, MJPEG
Supported Video Resolution	320x240 ~ 1920x1080
<b>Recording</b>	
Recording Mode	Schedule, Text-In, Event
Pre-Alarm Recording	Up to 15 Seconds
Frame Rate (NTSC)	Max. 480fps @ 704x480
Frame Rate (PAL)	Max. 400fps @ 704x576
<b>Search</b>	
Search Mode	Calendar, Time, Event, Text-In, Bookmark
<b>Playback</b>	
650 TVL	
Playback Control	PLAY, Rev PLAY, Pause, Stop, FF, FR, Step Forward, Step Backward, Goto First, Goto Last
<b>Network</b>	
Bandwidth Control	Automatic
No. of simultaneous users	3
Supported Protocol	TCP/IP, UDP, IPv4/v6, HTTP, HTTPS, QoS, FTP, SNMP, uPnP, RTP, RTSP, RTCP, DHCP, ARP, Zeroconfig, Bonjour
User Registration	20
Monitoring	NC-Titanium Software, Built-in web browser
Mobile Viewer	iOS(iPhone, iPad), Android(SmartPhone, Tablet)
Wi-Fi AP	O(option) Schedule : Dec, WPS Supported
<b>Storage</b>	
Internal HDD	Up to 1 SATA
External HDD	External 4Pin & 1 SATA port
<b>Input/Output</b>	
Alarm	Sensor Input x 8ea, Alarm Output x 8ea
Ethernet	1 x 100/1000 Base-T
USB	2 x USB2.0
eSATA	1 External SATA port
<b>Electrical</b>	
Power Source	12V 5A DC Adaptor
Power Consumption	Under 42W
<b>Environment</b>	
Operating Temperature	T.B.D
Humidity	T.B.D
<b>Mechanical</b>	
Dimension (W x H x D)	60(H) x 190(H) x 255(D) mm
Weight	T.B.D