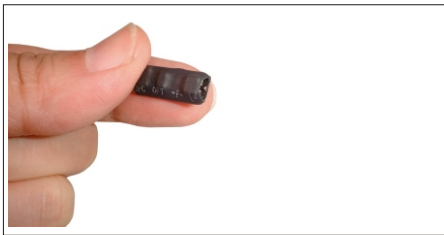


Mini-Microphone

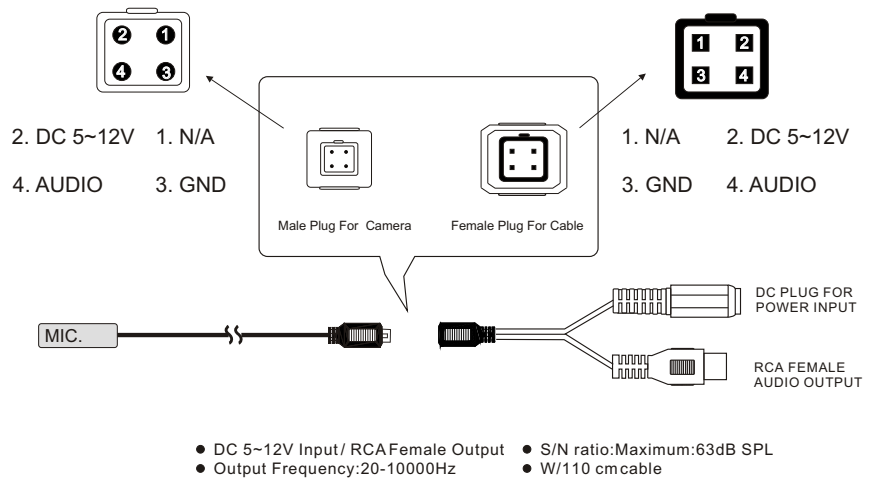
MC3



- 1. Microphone.....1pcs
- 2. Accessory cable.....1pcs

►► Specification

Frequency	20-10000Hz
S/N Ratio	Maximum:63dB SPL
Impedance	8 ohm (at 1KHz)
Power Source	DC 5~12V CENTER(+),OUTER(-)
Power current	30mA(max)



MC3