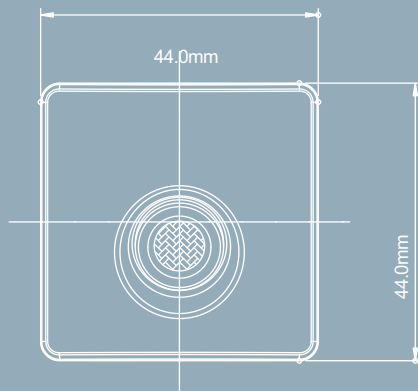


Closeup Camera

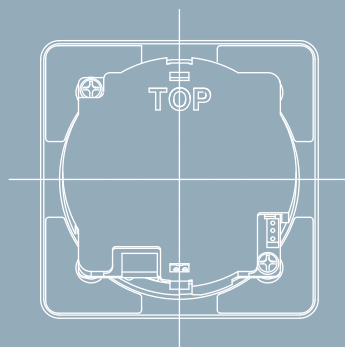
Specifications

MODEL		CVTDOOR	
POWER	Power Source	DC 12V±10%	
	Power Consumption	Max 1.5 Watts	
GENERAL	Image Sensor	1/3" Color CCD	
	Total Pixels	811(H) X 507(V)	
	Scanning System	2:1 interlace	
	Scanning Frequency	15.734KHz(H), 59.94Hz(V)	
	Sync. System	Internal	
	Electronic Shutter	1/60 ~ 1/100.000 sec	
	Resolution	540 TV lines	
	Min. illumination	1.0 Lux @ F1.2, 50 IRE	
	Video Output	1.0 Vp-p (75 ohm, composite)	
	S/N Ratio	more than 50dB (AGC ON)	
	FUNCTION	Auto Exposure	ON
		White Balance	ATW Fix
Gain control		AUTO	
Gamma		0.45	
BLC		ON	
CONNECTOR & ETC	Power Input	DC JACK	
	Video Output	BNC connector	
	Lens Mount	Fixed mount	
	Lens	2.8mm Fixed mount	
	Operating Temperature	32°F ~ 104°F (0°C ~ +40°C)	
	Operating humidity	0 ~ 96% (non-condensing)	
	External Dimension	TBD	
	Weight	TBD	

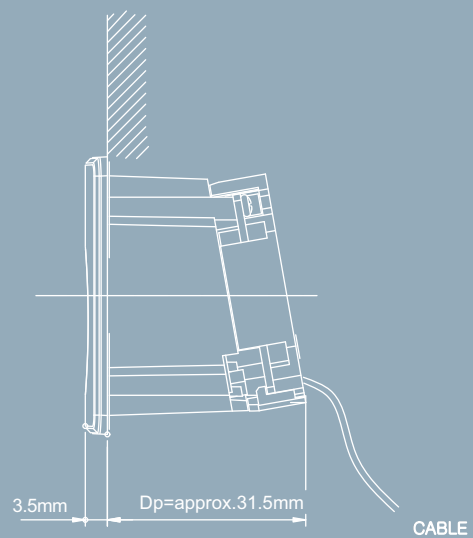
Dimensions



FRONT VIEW



BACK VIEW



SIDE VIEW