



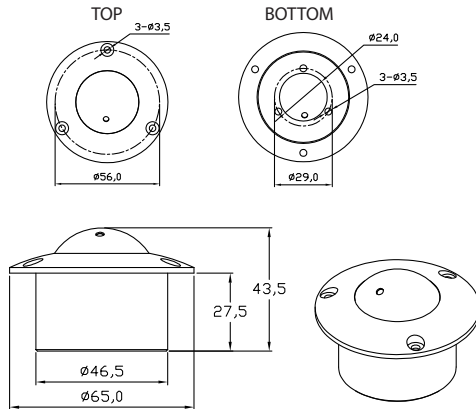
CAUTION

RISK OF ELECTRIC SHOCK
DO NOT OPEN

CAUTION : TO REDUCE THE RISK OF ELECTRIC SHOCK,
DO NOT REMOVE COVER
NOT USER SERVICEABLE PARTS INSIDE
REFER SERVICING TO QUALIFIED SERVICE PERSONNEL

Dimensions

Part name & Dimension

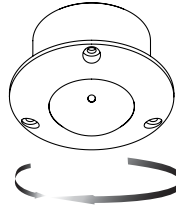


Accessories



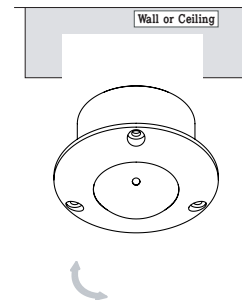
Installation

Step.1



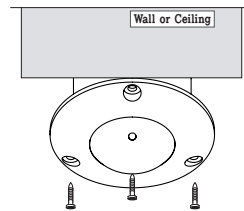
Adjust desired scene by turning

Step.2



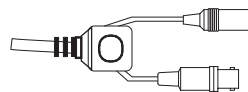
Make a hole on the ceiling
and put a camera

Step.3

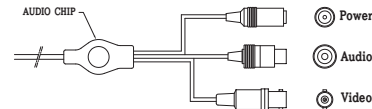


Fix the housing with screws

Cable



Option audio cable



CAUTION ! Please use regulated power supply DC12V 300mA
Reverse Polarity Protection

Features

- 1/3" 410K Sony Super HAD II Color CCD(600TVL)
- DNR(Digital Noise Reduction)
- DWDR(Digital WDR)
- CPH 3.7mm Lens
- Compact simple design
- Weatherproof(IP-66).

Specifications

TV System		NTSC	PAL
Image pick-up Device		1/3" 410K Sony super HAD II color CCD	
Number of Pixels	H	768	752
	V	494	582
Scanning Frequency	H	15.734KHz	15.625KHz
	V	59.94Hz	50Hz
Horizontal Resolution		Color : 600TV Lines	
S/N Ratio		More Than 50dB	
Min. Sensitivity		0.1 Lux at F : 1.4	
Scanning System		2:1 Interlace	
Gamma Correction		0.45 Approx.	
Gain Control		Automatic	
Video Output		Composite Video 1.0Vp-p/75Ω	
Lens		Con Pinhole 3.7mm Lens(Option Lens)	
Power Source		DC12V 300mA	
Power Consumption		3.0 Watt	
Operating Temp.		-10°C ~ +50°C	
Dimensions (mm)		Flush : 43.5mm(D) x 65mm(L)	
Weight(g)		200g	