



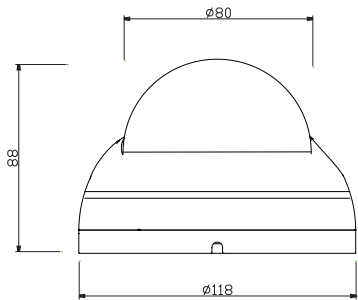
CAUTION

RISK OF ELECTRIC SHOCK
DO NOT OPEN

CAUTION : TO REDUCE THE RISK OF ELECTRIC SHOCK,
DO NOT REMOVE COVER
NOT USER SERVICEABLE PARTS INSIDE
REFER SERVICING TO QUALIFIED SERVICE PERSONNEL

Dimensions

Part name & Dimension



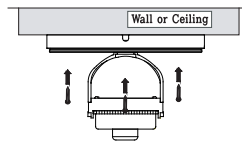
Accessories



Mount Screws

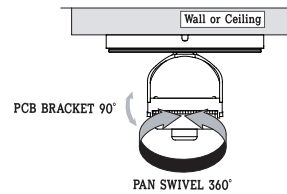
Installation

Step.1



Fix the surface
with screws on the Wall or Ceiling

Step.2

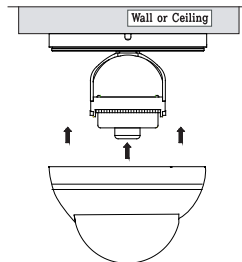


PCB BRACKET 90°

PAN SWIVEL 360°

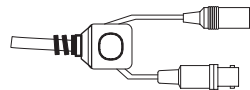
Adjust scene by turning
and moving the hemisphere by hand

Step.3



Put the dome cover over the base
and adjust direction
and fix the dome cover on
the base by turning

Cable



CAUTION ! Please use regulated power supply DC12V
Reverse Polarity Protection

Features

- 1/3" 410K interlaced
- High Resolution 600TVL
- DWDR(Digital WDR) & 2DNR(Digital Noise Reduction)
- Ring Type 3-Axis Gimbal Bracket
- 24 x IR LED
- DC2.8-12mm lens
- DC12V

Specifications

		HIGH RESOLUTION	
TV System		NTSC	PAL
Number of Pixels	H	768	752
	V	494	582
Scanning Frequency	H	15.734KHz	15.625KHz
	V	59.94Hz	50Hz
Horizontal Resolution	Color :	600 TV Lines	TV Lines
Image pick-up Device		1/3" 410K Interlace CCD	
S/N Ratio		More than 50dB	
Min. Sensitivity		0.1 Lux at F : 1.4	
Scanning System		2:1 Interlace	
Gamma Correction		0.45 Approx.	
Gain Control		Automatic	
Video Output		Composite Video 1.0Vp-p/75Ω	
Lens		2.8-12 DC Auto iris Lens	
Power Source		DC12V ±10%	
Power Consumption		Max 4.5 Watt	
Operating Temp.		-10 °C ~ +50 °C	
Dimensions (mm)		Ø80 x 89	
Weight (g)		200	