

# High Resolution

## BOX CAMERA

The Perfect Addition to Any CCTV System

CCS4

BOX CAMERA



1-512-756-1678

➤ CCS4 series features 650TV Lines resolution BOX camera.

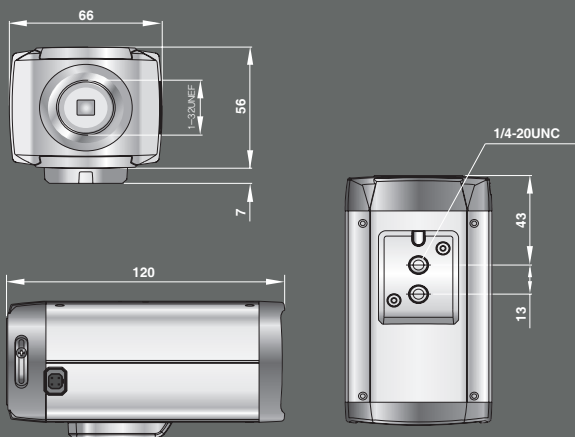


### ➤ Key Features

- 1/3" 760H CCD
- 650 TV Lines
- MOTION DETECTION
- PRIVACY MASKING
- True Day & Night ( ICR Filter )
- Various Backlight Compensation

### ➤ Dimensions

Unit: mm



### ➤ Technical Specification

Model	NTSC	PAL
<b>Electrical</b>		
Input Voltage	DUAL(DC12V,AC24V) ±10%	
Power Consumption	2.5 Watts	
Power Connector	2-Pin Terminal Block	
<b>Video</b>		
Imaging Device	1/3" 760H CCD	
Total Pixels	811(H)x507(V)	795(H)x595(V)
Effective Pixels	768(H)x494(V)	752(H)x582(V)
Scanning System	2:1 Interlace	
Sync.System	Internal / Line Lock	
Scanning Freq	15.734KHz(H),59.95Hz(V)	15.625KHz(H),50Hz(V)
Horizontal Resolution	650 TVL	
Min. Illumination	0.1 Lux(Color), 0.04 Lux(BW) @ F1.2 50IRE	
S / N (Y signal)	More than 50dB	
Video Output	CVBS 1.0Vp-p, 75Ω	
<b>Operational</b>		
Image Enhancement	DIGITAL WDR	
Day & Night	True D&N ( IR cut Filter )	
White Balance	ATW2 / ATW1 / MANUAL / AWC->SET / ANTL.CRL	
Electronic Shutter Speed	1/60~1/10,000	1/50~1/10,000
Dynamic Noise Reduction	2DNR	
Backlight Compensation	OFF/BLC/HLC	
Motion Detection	OFF/ON	
Digital Image Stabilizer	OFF/ON	
Privacy Masking	OFF/ON	
Digital Image Effect	MIRROR, NEG	
Language	ENGLISH/TRADITIONAL CHINESE/GERMAN/FRENCH/ SPANISH/JAPANESE/RUSSIAN/PROTUGUESE/ SIMPLIFIED CHINESE	
Camera Control	TACT SWITCH	
<b>Environmental</b>		
Operating Temperature	-10 °C ~ +50 °C	
Operating Humidity	20 ~ 80% RH	
Storage Temperature	-20 °C ~ +60 °C	
Storage Humidity	20 ~ 90% RH	
<b>Mechanical</b>		
Dimension (WxHxD)	66(H) x 56(H) x 120(D) mm	
Weight	400g	
Lens Mount	C/CS	
Approvals	FCC (Class A), UL Listed	CE(Class A) Listed