

High Resolution BOX CAMERA

The Perfect Addition to Any CCTV System

CCS3

BOX CAMERA



1-512-756-1678

» CCS3 series features 650TV Lines resolution BOX camera.

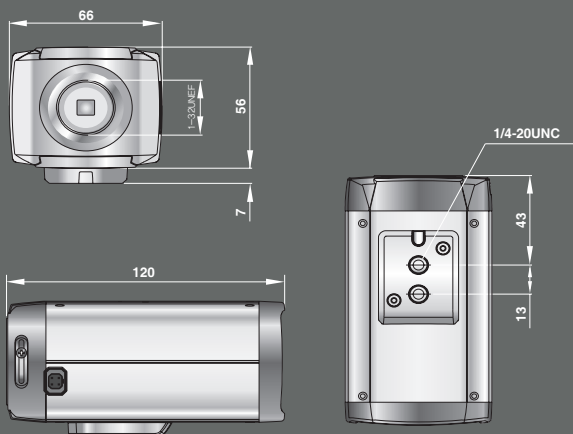


Key Features

- 1/3" Sony 760H SUPER HAD CCD
- 650 TV Lines
- SINGLE SCAN WDR
- X256 Sens-Up
- MOTION ADAPTIVE 3D Digital Noise Reduction
- MOTION DETECTION
- Digital Image Stabilizer
- 8 POLYGONAL Privacy Masking
- True Day & Night (ICR Filter)
- Various Backlight Compensation
- DEFOG
- RS-485 & COAXIAL COMMUNICATION

Dimensions

Unit: mm



Technical Specification

Model	NTSC	PAL
Electrical		
Input Voltage	DUAL(DC12V,AC24V) ±10% / 230V AC 2.5 Watts	
Power Consumption	2-Pin Terminal Block	
Power Connector		
Video		
Imaging Device	1/3" Sony SUPER-HAD II 760H CCD	
Total Pixels	811(H)x507(V)	795(H)x595(V)
Effective Pixels	768(H)x494(V)	752(H)x582(V)
Scanning System	2:1 Interlace	
Sync.System	Internal / Line Lock	
Scanning Freq	15.734KHz(H),59.95Hz(V)	15.625KHz(H),50Hz(V)
Horizontal Resolution	650 TVL	
Min. Illumination	0.1 Lux(Color), 0.04 Lux(BW) @ F1.2 50IRE	
S / N (Y signal)	More than 50dB	
Video Output	CVBS 1.0Vp-p, 75Ω	
Operational		
WDR	SINGLE SCAN WDR	
Image Enhancement	DIGITAL WDR	
Day & Night	True D&N (IR cut Filter)	
White Balance	ATW/AWB/AWC->SET/MANUAL/INDOOR/OUTDOOR	
Electronic Shutter Speed	1/60~1/10,000	1/50~1/10,000
Dynamic Noise Reduction	MOTION ADAPTIVE 3DNR	
Sens-up	x256	
Backlight Compensation	OFF/HWDR/DWDR/BLC/HSBLC	
Motion Detection	OFF/ON (4 area)	
DEFOG	OFF/ON	
Digital Image Stabilizer	OFF/ON	
Privacy Masking	8 POLYGONAL	
Digital Zoom	256x Digital PTZ	
Digital Image Effect	PIP, FREEZE, MIRROR, NEG	
Language	ENGLISH/KOREAN/JAPANESE/CHINESE/ RUSSIAN/FRANCAIS/ESPAÑOL/ITALIANO/ PORTUGAL/DUTCH/GERMAN/POLISH TURKI/HEBREW/ARAB(OPTION)	
Camera Control	RS-485/TACT SWITCH/COAXIAL	
Protocol	PELCO-D, PELCO-P, FASTFAX	
Environmental		
Operating Temperature	-10 °C ~ +50 °C	
Operating Humidity	20 ~ 80% RH	
Storage Temperature	-20 °C ~ +60 °C	
Storage Humidity	20 ~ 90% RH	
Mechanical		
Dimension (WxHxD)	66(H) x 56(H) x 120(D) mm	
Weight	400g	
Lens Mount	C/CS	
Approvals	FCC (Class A), UL Listed	CE(Class A) Listed