

USER'S MANUAL

Weatherproof Bullet Camera



CAUTION

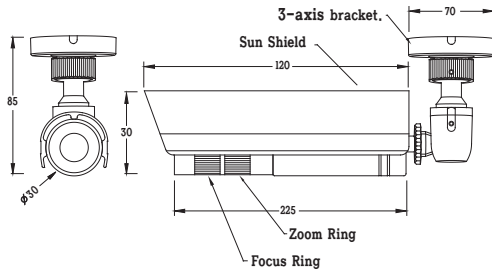
RISK OF ELECTRIC SHOCK
DO NOT OPEN



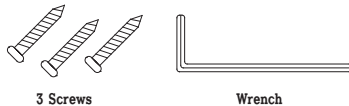
CAUTION : TO REDUCE THE RISK OF ELECTRIC SHOCK,
DO NOT REMOVE COVER
NOT USER SERVICEABLE PARTS INSIDE
REFER SERVICING TO QUALIFIED SERVICE PERSONNEL

Dimensions

Part name & Dimension

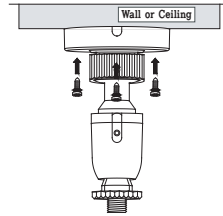


Accessories



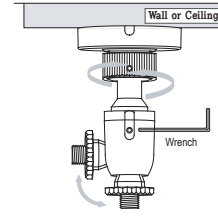
Installation

Step.1



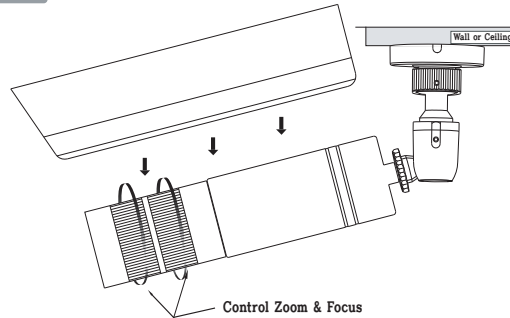
Fixing bracket at desired place

Step.2



Adjust view angle with 3-axis bracket

Step.3



adjust Zoom & Focus, Push a sunsheld on the top

Cable



CAUTION ! Please use regulated power supply DC12V 500mA
Reverse Polarity Protection

Features

- 1/3" Sony Super HADII Color CCD (600TV lines)
- DNR(Digital Noise Reduction)
- DWDR(Digital WDR)
- 3.5mm~16mm Vari focal lens
- Lens adjustable externally
- 3-axis Concealed bracket

Specifications

TV System	NTSC	PAL
Number of Pixels	H : 768 V : 494	752 582
Scanning Frequency	H : 15.734KHz V : 59.94Hz	15.625KHz 50Hz
Horizontal Resolution	Color : 600 TV Lines B/W : 700 TV Lines	600 TV Lines 700 TV Lines
Image Pick-UP Device	1/3" Sony Super HADII Color CCD	
Scanning System	2:1 Interlace	
S/N Ratio (AGC Off)	More Than 50dB	
DNR	Built-in	
DWDR	Built-in	
Min. Sensitivity	Sense up (Auto x 256) , 0.001Lux (F1.2)	
Gamma Correction	0.45 Approx.	
Gain Control	Automatic	
Video Output Lens	Composite Video 1.0Vp-p/75Ω 3.5mm~16mm Vari - focal lens (Option : vari - focal lens 9~22mm)	
Power Source	DC12V 300mA	
Power Sonsumption	Max 3Watt	
Operating Temp.	-10℃ ~ +50℃	
Dimensions (mm)	30(Φ) X 113(L)	
Weight/g	360g	

■ Option